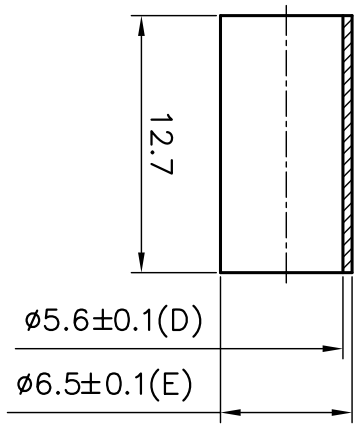
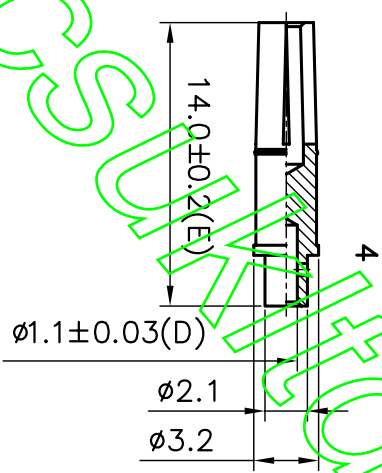
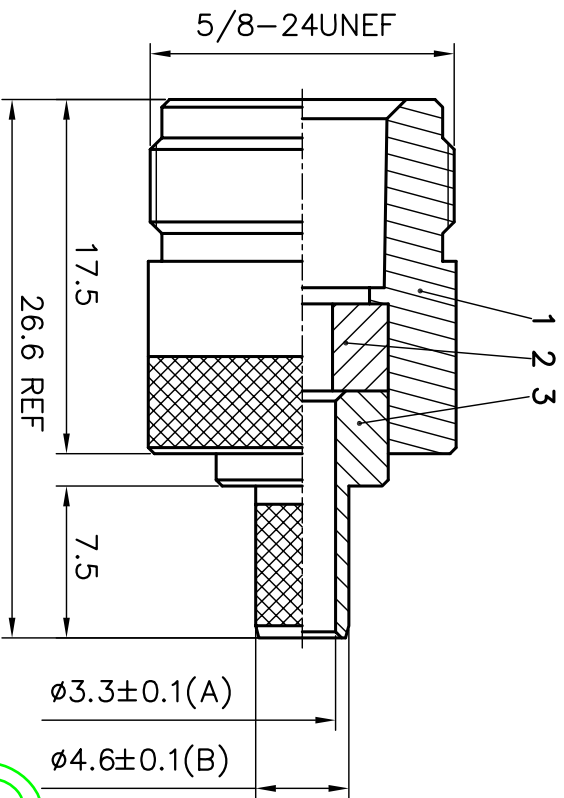


RECOMMENDED  
CABLE STRIPPING DIM'S



5	FERRULE	BRASS/NICKEL PLATE
4	CONTACT	BRASS/GOLD PLATE
3	BODY	BRASS/NICKEL PLATE
2	INSULATOR	TEFLON
1	BODY	BRASS/NICKEL PLATE
NO	DESCRIPTION	MATERIAL

APRD:	UNLESS OTHERWISE SPECIFIED TOLERANCES
CHKD:	0.5-5 = ±0.2
DR:	5-30 = ±0.4
	30-120 = ±0.6
	120-515 = ±1

TITLE:	N FEMALE CRIMP
PART NO:	NCCR58
UNIT:	mm
DATE:	.
DRAWING NO:	
SHEET:	1/1

